



### Features

- 12.2" LCD Gorilla Glass Touchscreen
- Intel Kabylake or Skylake Dual Core CPU
- Wi-Fi, Bluetooth, GPS
- Hot Swappable Battery
- MIL-STD-810G Shock and Drop Resistant
- IP65 Waterproof Protection
- **Note:** Only Intel Kabylake Dual-Core processor available if purchased online.

## Technical Specifications

### General

Main Category Rugged Tablet PC  
 Featured Product yes

### Expansion Slots

Internal M.2 1x M.2  
 video card support Intel® HD Graphics 515  
 SD card 1x Micro SD Slot  
 Other Pogo Pin Expansion

### Primary Components

Processor Family Intel Core M series, 6th or 7th Generation  
 Processor Speed 1.0 GHz, 900 Mhz  
 Memory Type Onboard DDR3  
 Memory Support 4GB, 8GB  
 Storage type M.2  
 Storage support 64GB (Standard), up to 256GB (Optional)

### Multimedia

Speakers 2x 0.8W Speakers  
 Camera Front: 2MP, Rear: 5MP  
 Microphone Built-in Microphone

### Display

Screen Size 12.2"  
 Resolution 1920 x 1200 (WUXGA)  
 Screen Ratio 16:10  
 Brightness 280 nits

### Thermal and Environmental

Operating Temperature Array (14°F – 122°F; Optional -4°F – 140°F)  
 Storage Temperature Array (-22°F – 158°F)  
 Humidity Range 95% Non-condensing  
 Cooling Solution Passive – Fanless

**Touch Screen**

Touch Screen	Projected Capacitive (Multi-touch)
Glass type	Gorilla Glass

**Enclosure**

Material	Double Injection
Ip Rating	IP65
Color	Black
Control Buttons	Audio Down, Audio Up, Power Button, Scanner
Programmable Function Buttons	2x Programmable Function Keys
Shock Rating	MIL-STD-810G
Drop Rating	4ft Drop Protection
Mounting Options	Forklift Mount, Vehicle Mount, VESA 100 Mount
Approved Cleaning Solutions	3M HB Quat, Acetone, Actichlor, Alcohol, Ammonium Nitrate (low concentration), Antigone, Betasept, Bleach, Caviwipes, Chloride, CIDEX, Control III Disinfectant Germicide, Dispatch Disinfectant Cleaner CLH69101, Incidin, Isopropyl Alcohol, LpH se, MikroBac, Mikrozyd, Peridox, Puregreen 24 Disinfectant, SDW 70C, Sodium Hypochlorite, SporeClear, Trigene, Viraguard, Virkon, Windex

Cleaning Instructions [View instructions here](#)

**External I/O ports**

USB	2x USB 2.0, 1x USB Type C (USB 3.0, HDMI, Charging)
Serial / Com	2x COM
Serial Protocol Detail	1x RS-232 (2wire), 1x RS-485 (2wire)
Ethernet / LAN	1x RJ45 GbE LAN
Video Outputs	1x Mini HDMI
Docking Connector	Yes
Audio	1x 3.5mm Headphone Jack
Power Input Port	3.5mm DC-in Jack

**Peripherals & Wireless Connectivity**

WiFi	802.11AC
BlueTooth	Bluetooth 4.2
GPS	UBlox Neo 7M
Mobile Network 3G	Module dependant
Mobile Network 4G LTE	Optional M.2 Quectel 4G LTE , North America, South America, Australia/NZ
Mobile Network 5G	Optional 5G Sub 6 Global M.2 module: (n1/n2/n3/n5/n7/n8/n12/n20/n28/n38/n40/n41/n48/n66/n71/n78)
Sim card	1x Micro SIM Card Slot
Barcode Scanner	Optional 1D/2D Barcode Scanner
RFID	Optional RFID Scanner (NFC 13.56 Mhz ISO/IEC 14443A/14443B/15693/18092/MiFare)
Peripheral Other	Keyboard; Kickstand; Cigarette adapter; Digitizer Pen; Hand Desktop Dock; Vehicle Dock; Forklift Dock; Shoulder Strap; Mounts
Sensors	Accelerometer, Light Sensor

**Power**

Input Voltage Range	10-13V DC
Standard Power Adapter	12V/48Watt Power Supply

**Dimensions / Weight**

Weight	1.5 KG (3.3 lbs)
Dimensions	319.6 x 216 x 23.4 mm (12.6 x 8.5 x 0.9 in)

**Battery**

Type	Hot Swappable 7.4V/6300mAh Battery
Operating Time	6hrs

**Certification**

Certifications	CE, FCC Class B
----------------	-----------------

**Operating Systems**

Windows	Windows 10 IoT, Windows 10 Pro
---------	--------------------------------

**Warranty**

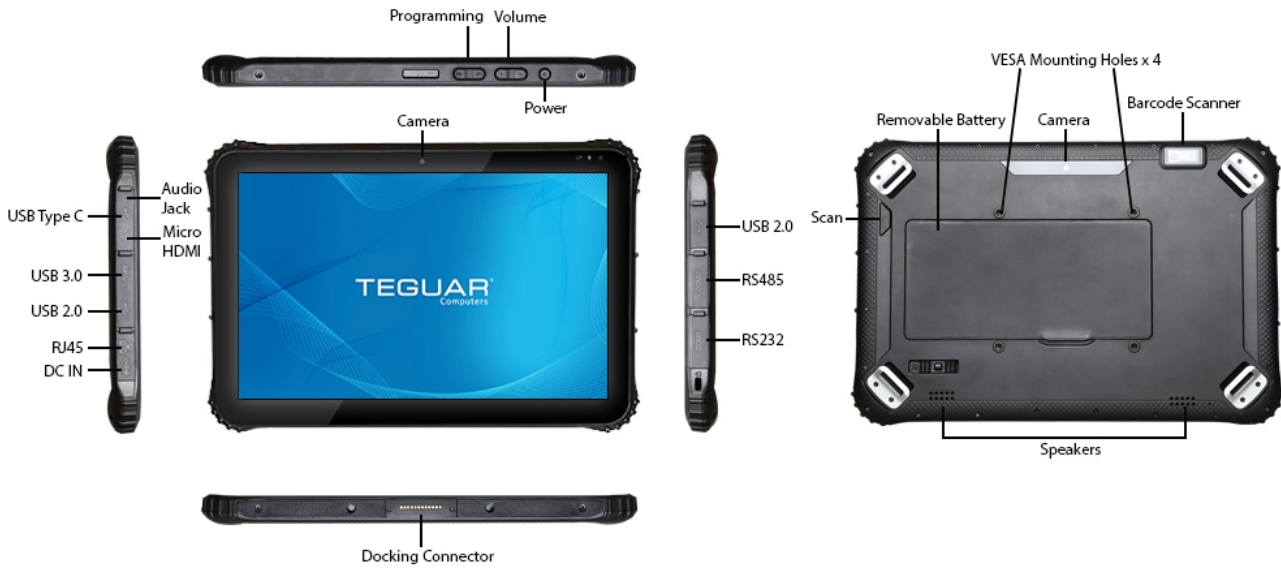
Warranty	Up to 3 Years
----------	---------------

**Compatibility**

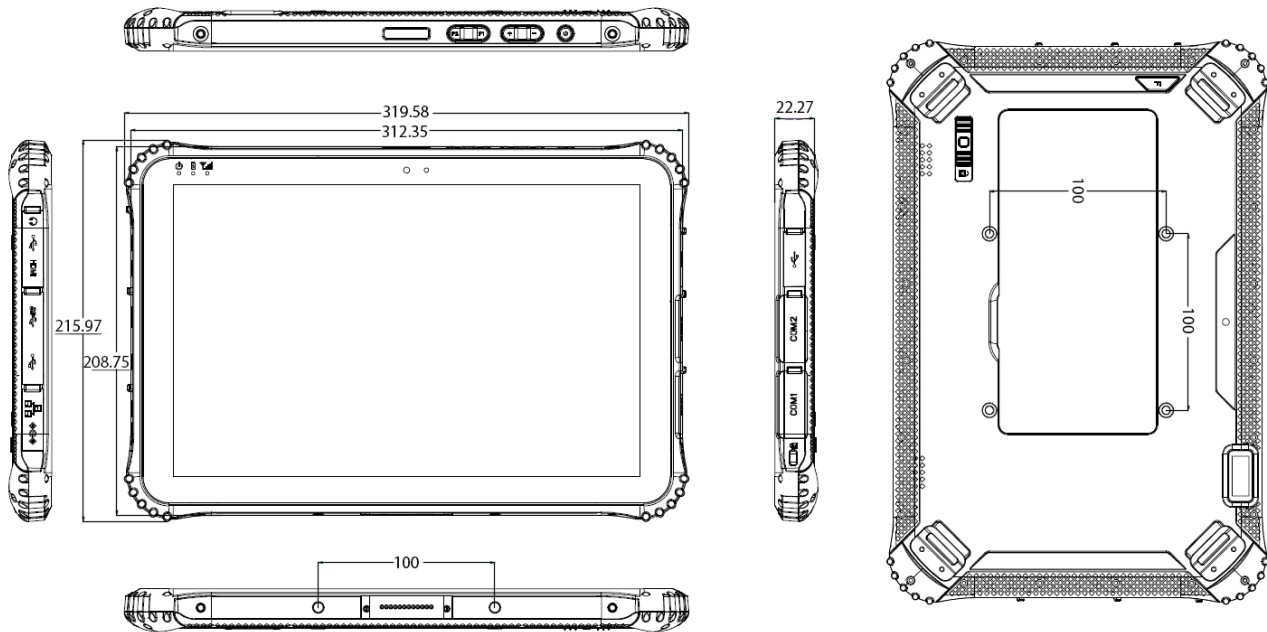
Security Hardware	TPM 2.0
-------------------	---------

**Filters**

Inputs / Outputs



Technical Drawings



All specifications are subject to change without notice.